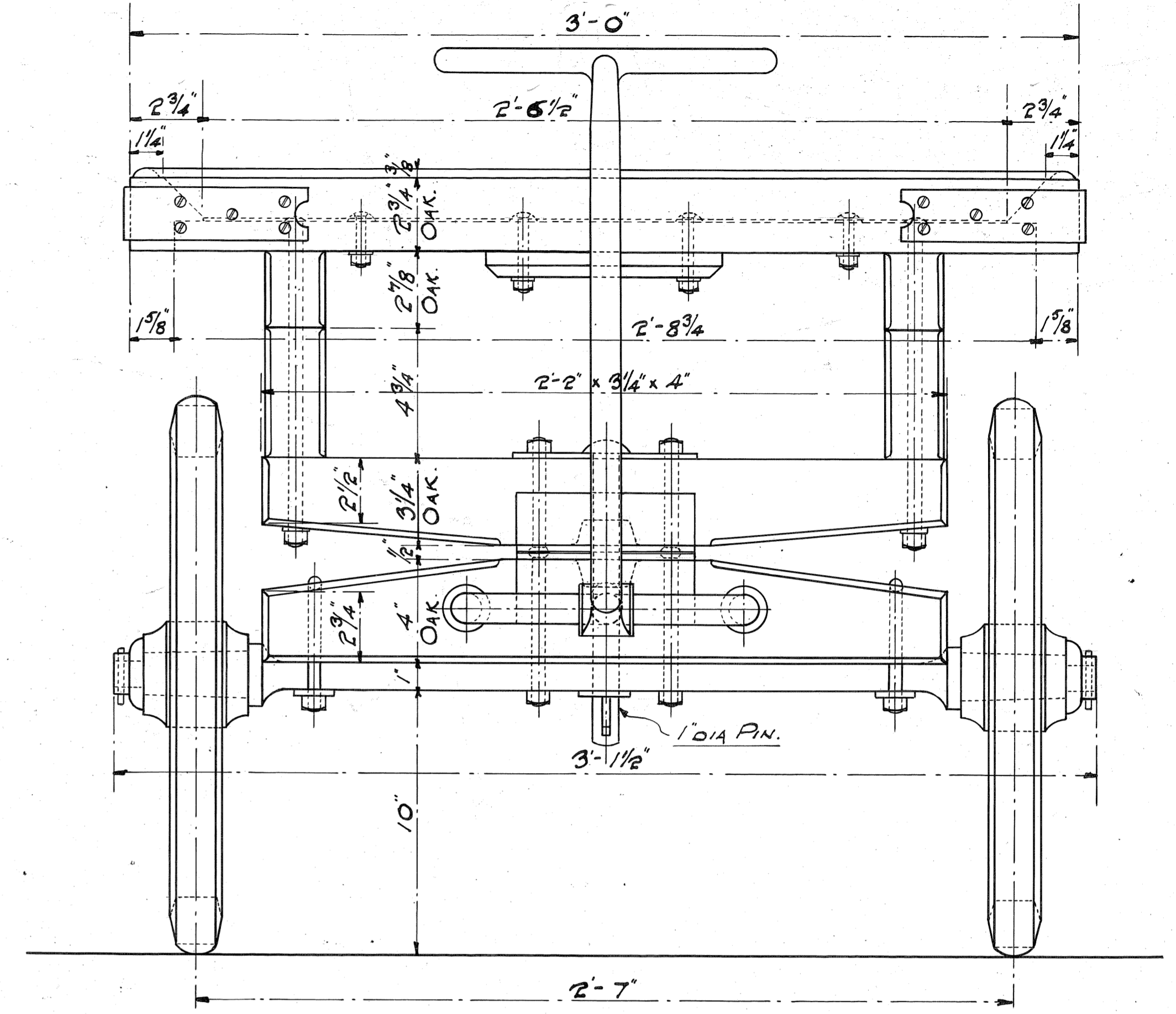
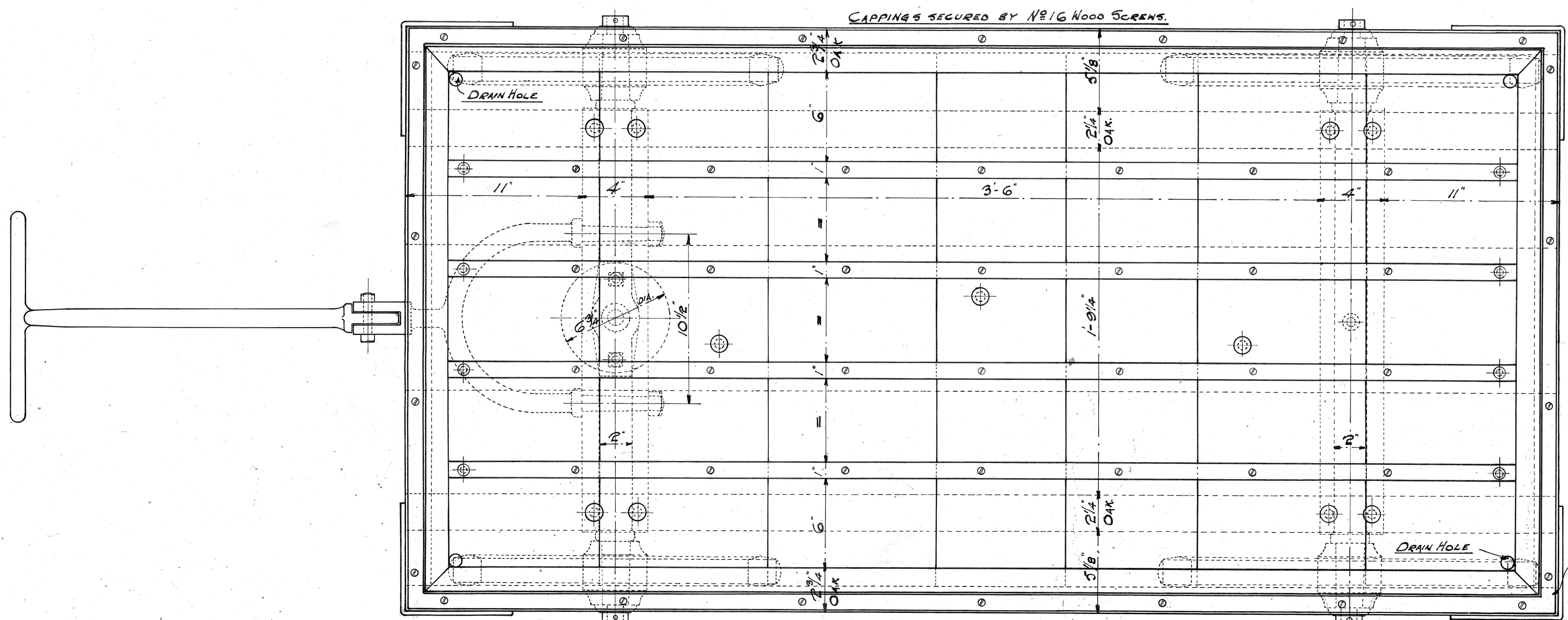


— LONGITUDINAL SECTION —

WHEELS:— FRONT 21" DIA. REAR 24" DIA.  
 TYRES 1 1/2" x 3/8" CONVEX.  
 SPOKES 1 1/4" x 1/4"  
 FELLOES 2" x 1 3/4" ASH.

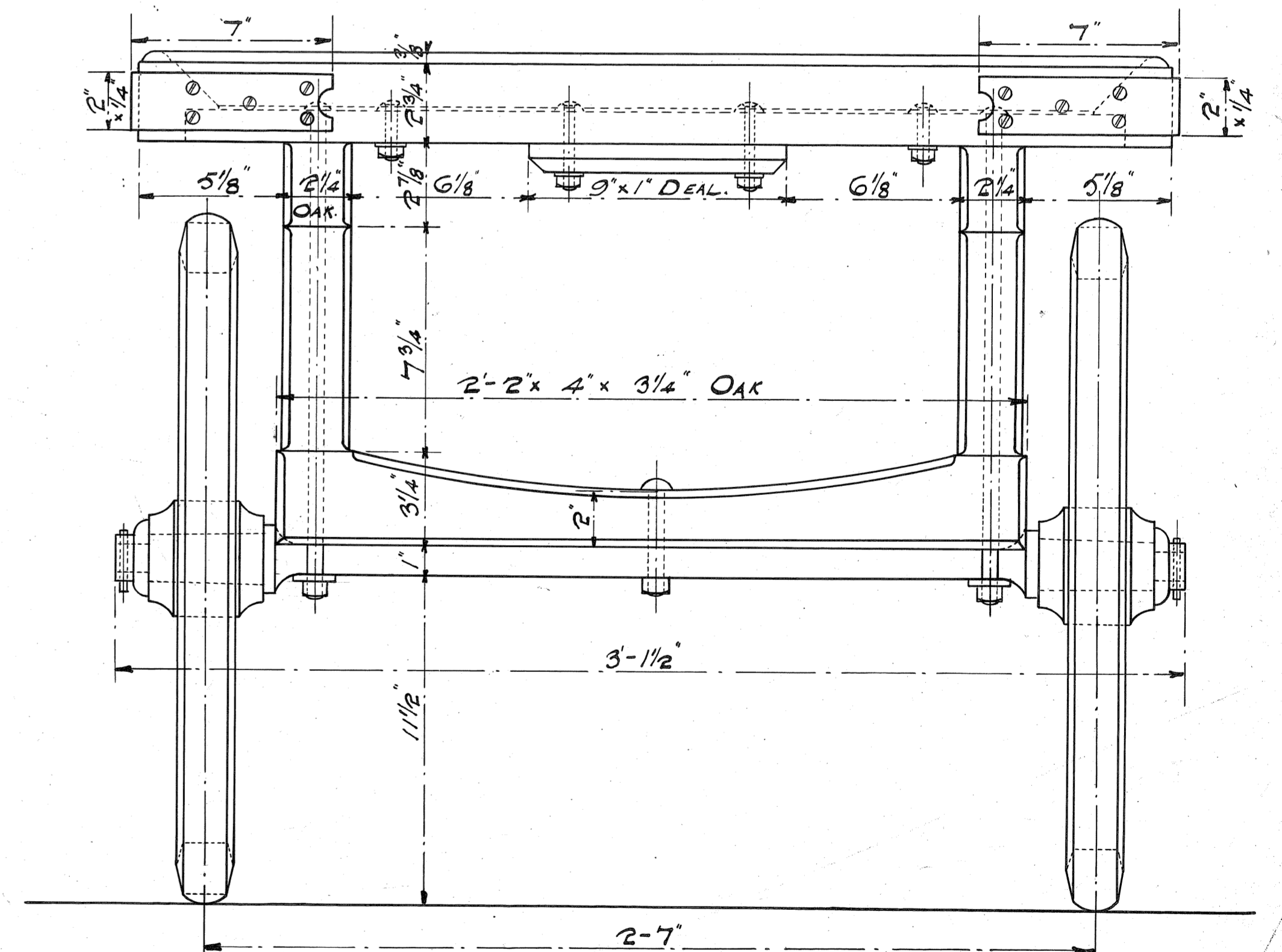


— FRONT ELEVATION —



— PLAN. —

CAPPING WELDED  
 AT CORNERS.



— REAR ELEVATION. —

APPROX. TARE:— 4-1-0.

SCALE 3 INCHES TO ONE FOOT.

**STANDARD PLATFORM TRUCK NO 1 WITH HIGH WHEELS.**

**DRAWING NO 10,105**

5th July 1922.