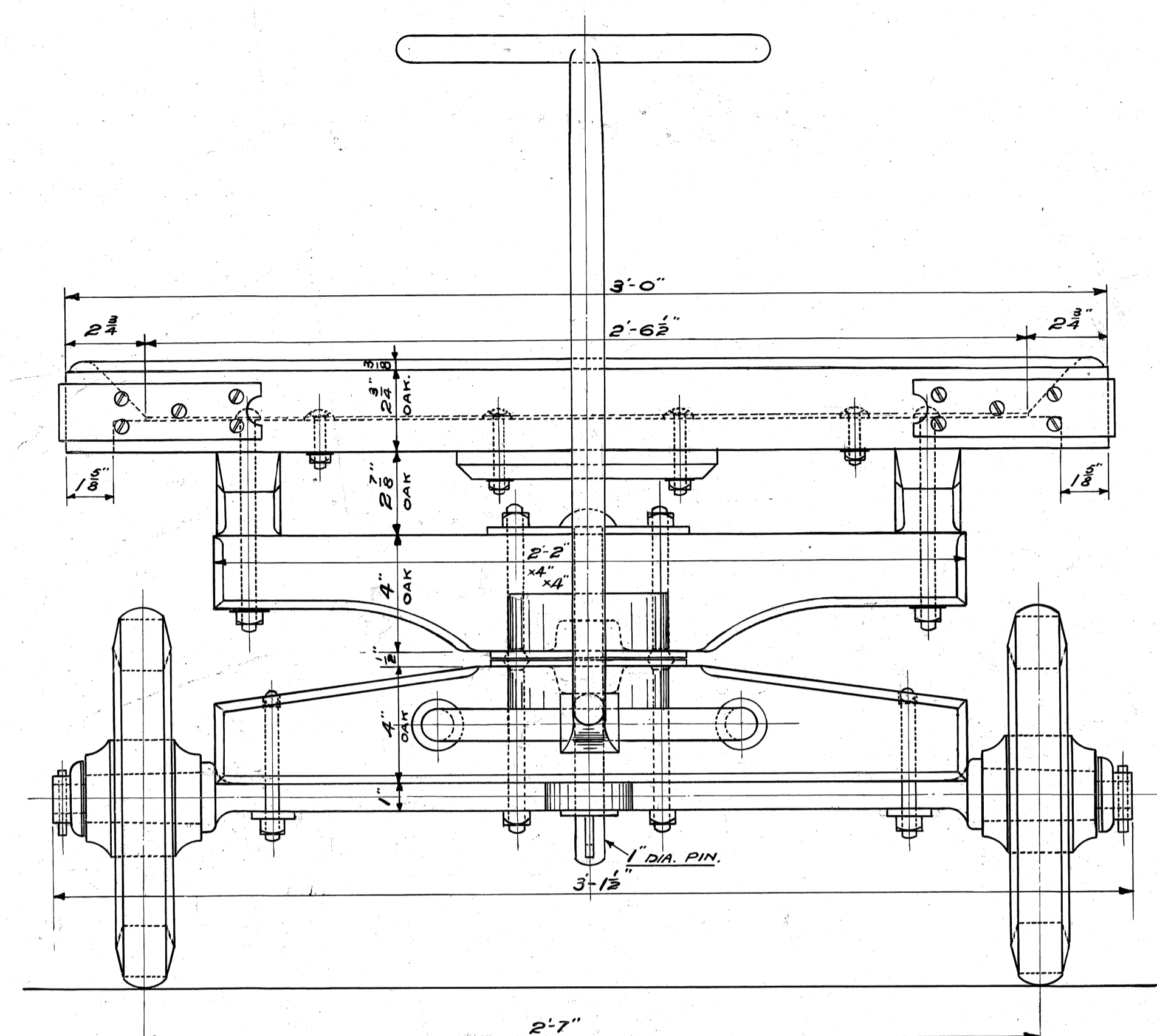
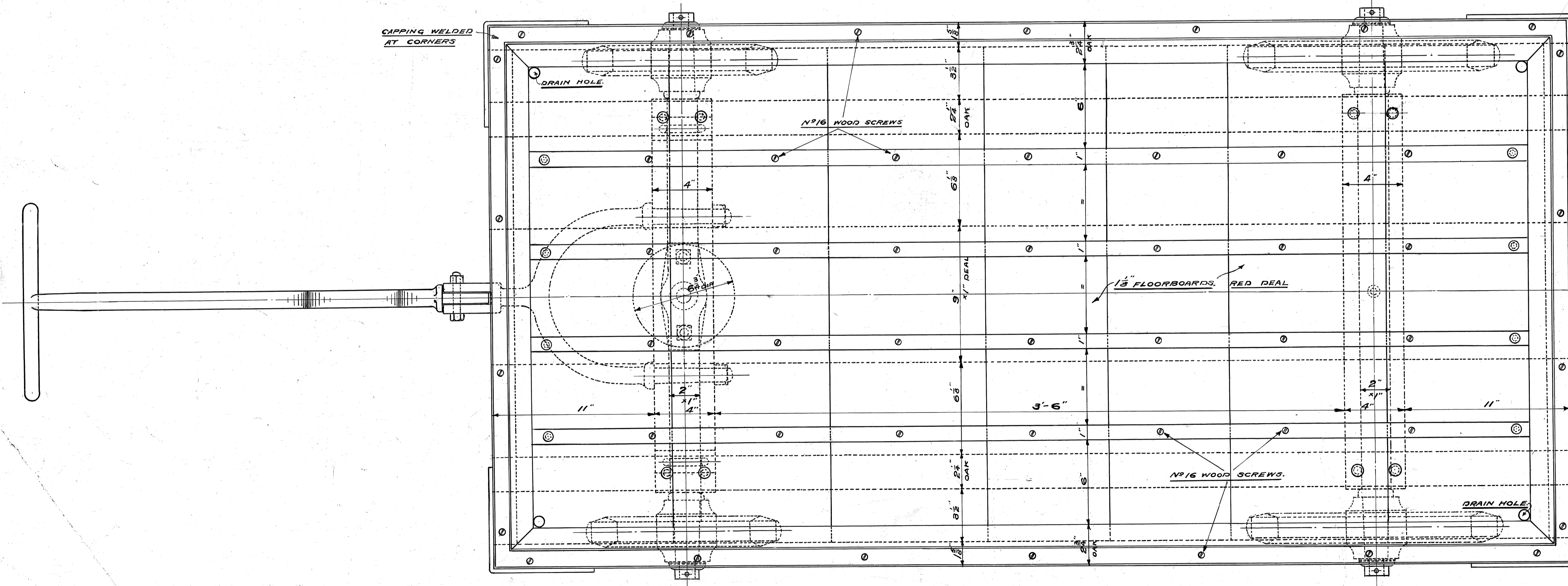


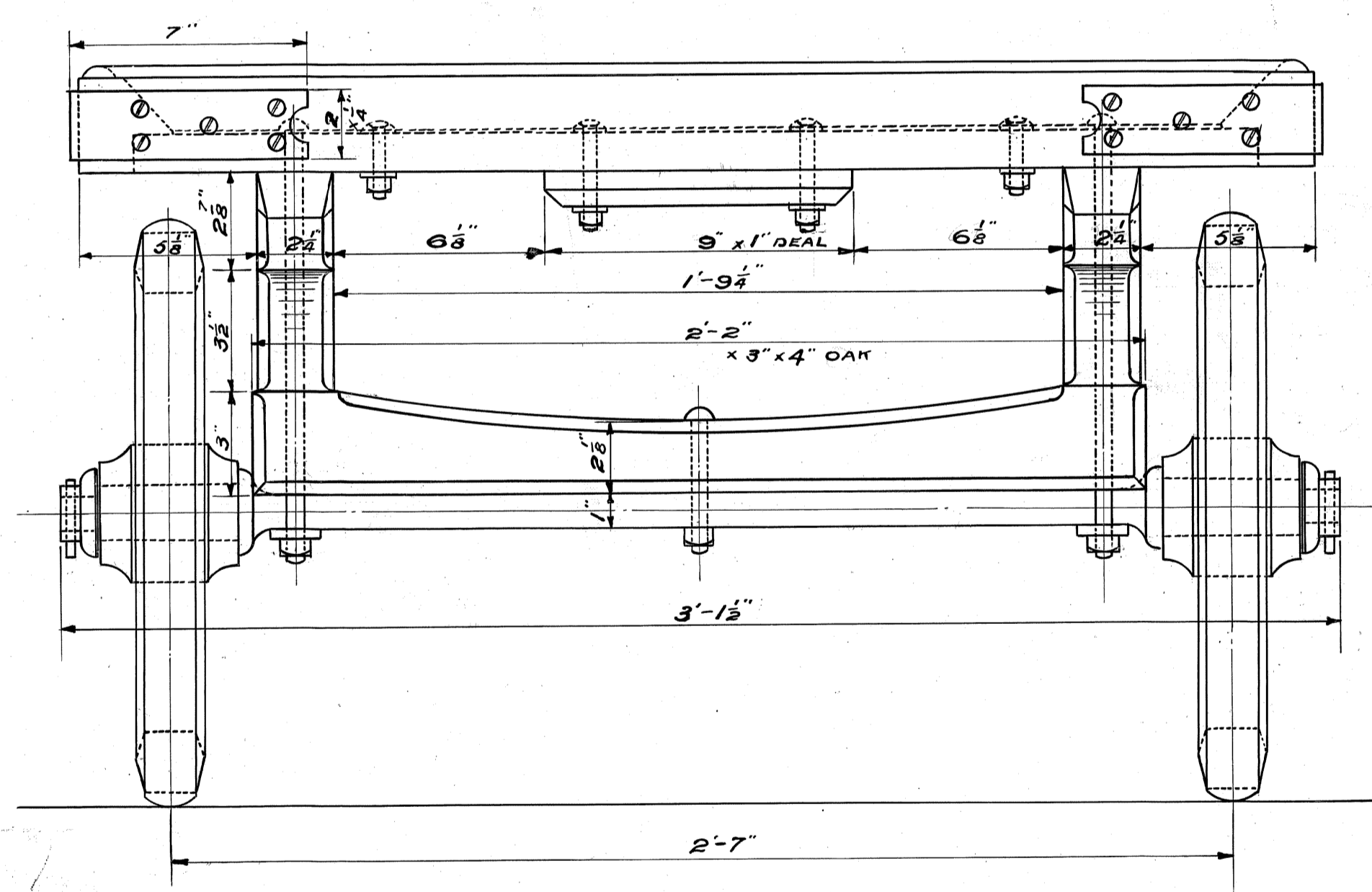
LONGITUDINAL SECTION



FRONT ELEVATION.



PLAN



REAR ELEVATION.

APPROX. TARE: - 3-3-0. c. q. lbs.

SCALE. 3 INCHES TO ONE FOOT.

STANDARD PLATFORM TRUCK N°1 WITH LOW WHEELS.

DRAWING N° 10106